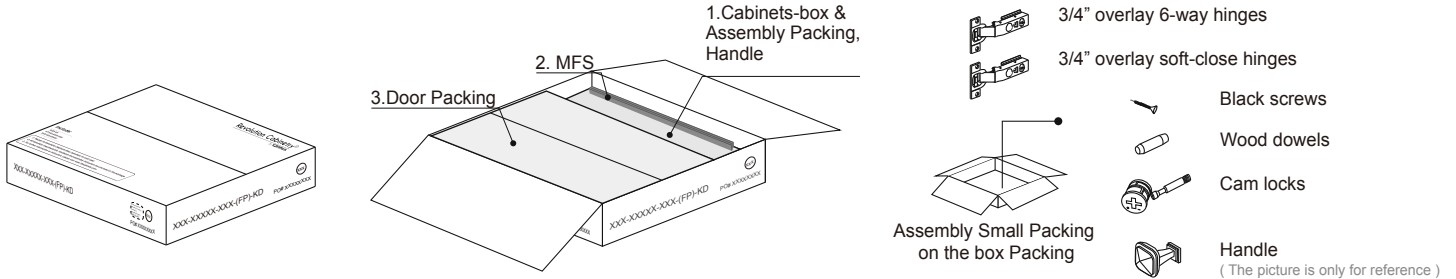


KITCHEN SINK BASE CABINET

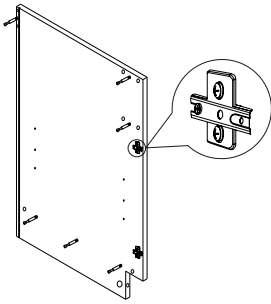
Ready to Assemble — Assembly Instruction
-everything you need is included in this package-

PACKAGE LIST

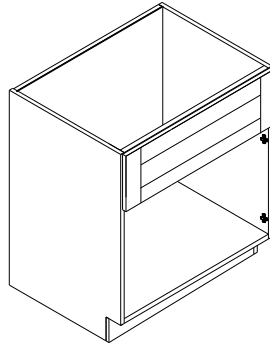


ASSEMBLY STEPS

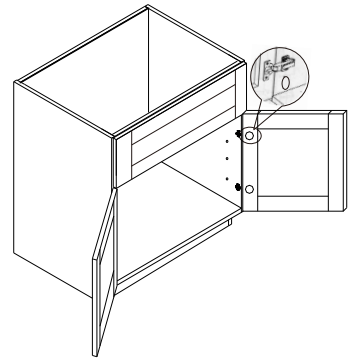
Step 1: Install the soft-close hinge plate on upper holes of the side panels, install the 6-way hinge plate on lower holes of the side panel.



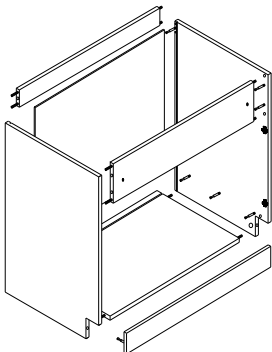
Step 3: Install the front panel to the front brace and attach using screws.



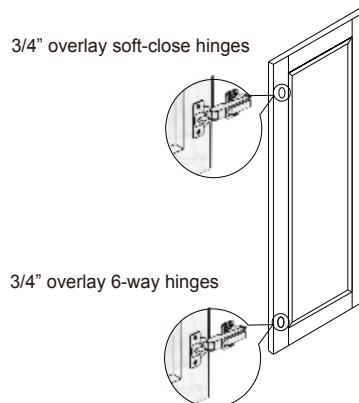
Step 5: Connect the doors to the box, hinges on the door panels snap into the hinges on the side panels.



Step 2: Assemble the cabinet using cam locks and wood dowels. Start by screwing in all the male ends of the cam locks and inserting the wooden dowels. When the sides, bottom base and braces are loosely connected, tighten everything with the female part of the cam locks. Finish by sliding the back panels into its groove.



Step 4: Install the 3/4" overlay soft-close hinges in the upper holes of the doors; Install the 3/4" overlay 6-way hinges in the lower holes of the doors.



Step 6: Adjust the hinges to ensure that the clearance for all doors is the same. Finally, check the firmness and stability of the cabinet tightening the cam locks as necessary.

