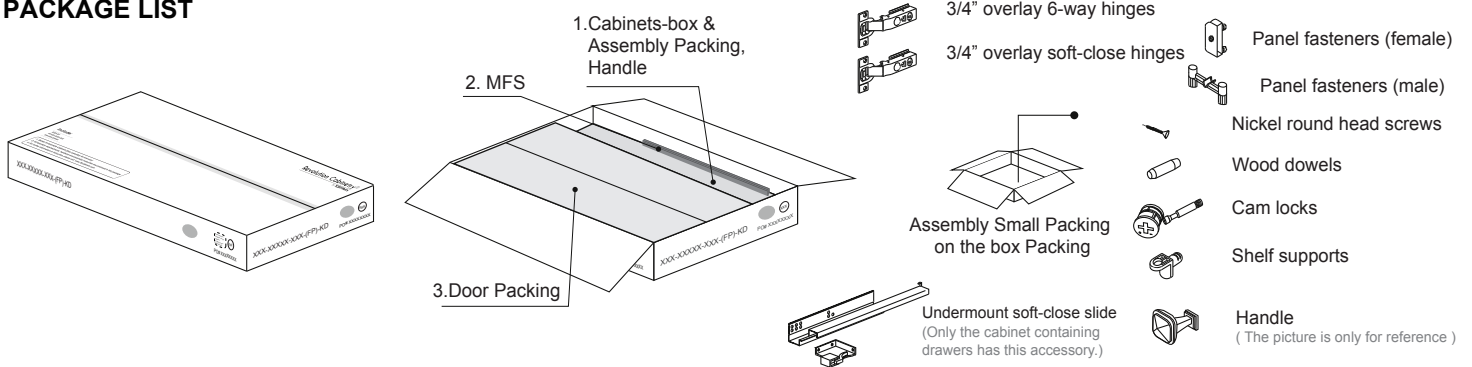


KITCHEN OVEN CABINET DOUBLE

Ready to Assemble — Assembly Instruction

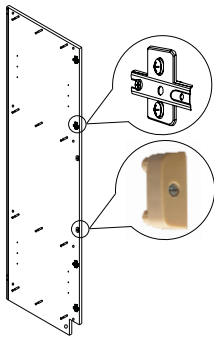
-everything you need is included in this package-

PACKAGE LIST

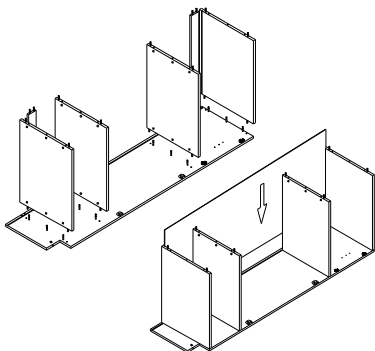


ASSEMBLY STEPS

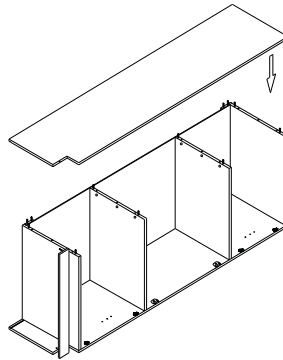
Step 1: Install the soft-close hinge plate on upper holes of the side panels, install the 6-way hinge plate on lower holes of the side panel. In the middle, install the female fasteners.



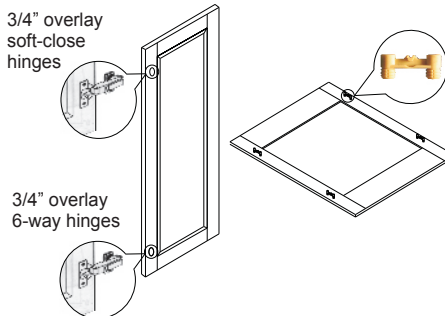
Step 2: connect the top panel, bottom panel, middle panels and back braces to one side panel using cam locks and wood dowels. Slide the back panel into its slot in the top and bottom panels.



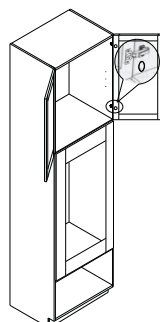
Step 3: Install the other side panel and toe kick using cam locks and wood dowels.



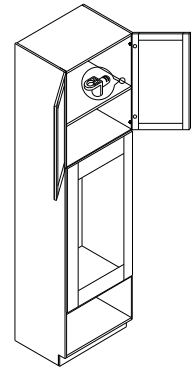
Step 4: Install the 3/4" overlay soft-close hinges in the upper holes of the doors; Install the 3/4" overlay 6-way hinges in the lower holes of the doors. Install the male fasteners on the center frame.



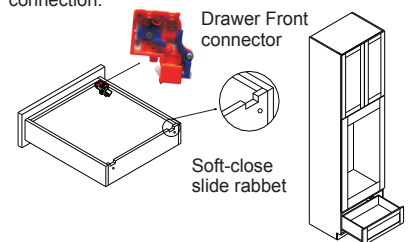
Step 5: Connect the doors to the box, hinges on the door panels snap into the hinges on the side panels. Insert the male fasteners into the female fasteners to attach the center frame.



Step 6: Install the shelf supports at the desired height then place shelves on top of the supports.



Step 7: Install the drawers. First, extend the arms of the drawer slides and place drawer on top of the extended arms. There is a notch cut into the bottom of each side of the drawer where the arms rest. Reach under and pull the arms to meet the drawer front connector. The arms should slide forward until a "click" is felt. This is a secure connection.



Step 8: After that, a small lever on the drawer front connector can be used to make small adjustment to correct clearance. Check the stability of the cabinet and make adjustment by tightening the cam locks.

