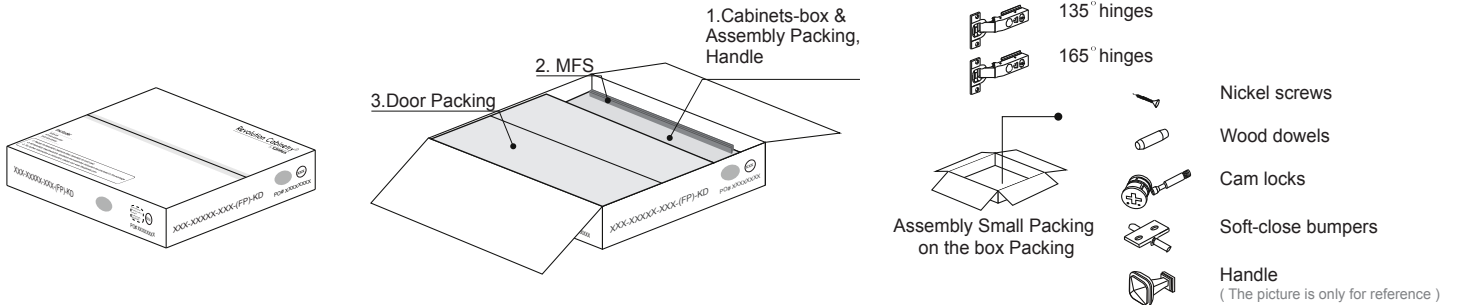


## KITCHEN BASE CORNER CABINET

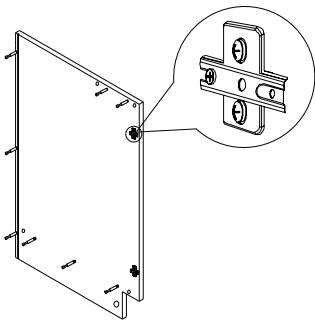
Ready to Assemble — Assembly Instruction  
-everything you need is included in this package-

### PACKAGE LIST

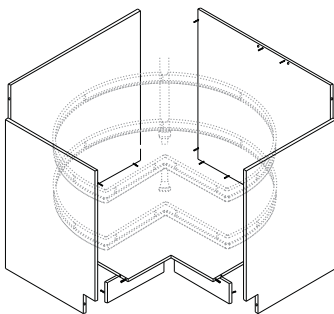


### ASSEMBLY STEPS

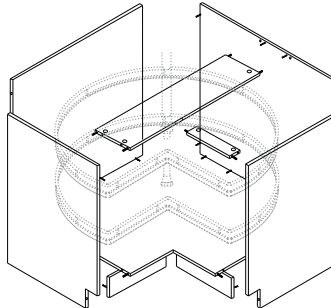
**Step 1:** Assemble the cabinet body using cam locks and wood dowels. Start by screwing in all the male ends of the cam locks and inserting the wooden dowels.



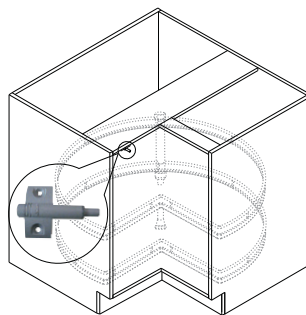
**Step 2:** When the 4 side panels, bottom and braces are loosely connected, put the lazy susan trays into the cabinet.



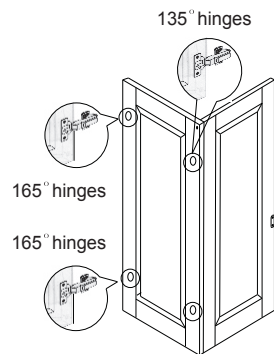
**Step 3:** Tightening everything with the female part of the cam locks. Finish by sliding the back panel into its groove.



**Step 4:** Install the door hinges. First, connect the two door panels together using the 135° hinges, then attach the 165° hinges to the door. Kick using cam locks and wood dowels.



**Step 5:** Install the metal turntable. Screw the flanges into the top and bottom panels.



**Step 6:** Connect the doors to the cabinet. Match up the screw holes on the side panel to the holes in the hinge and tighten. Adjust the hinges to ensure that the clearance for all doors is the same. Finally, check the firmness and stability of the cabinet tightening cam lock where necessary.

