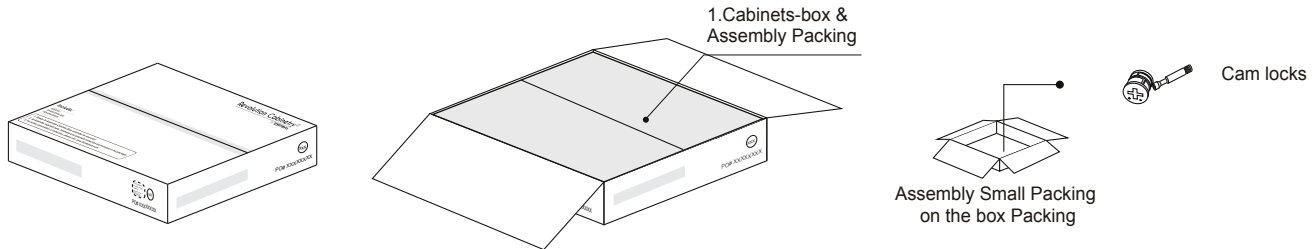


KITCHEN WALL MICROWAVE CABINET (WMSB)

Ready to Assemble — Assembly Instruction

-everything you need is included in this package-

PACKAGE LIST



ASSEMBLY STEPS

Part	Descriptions	Qty
A	Side Panel	2
B	Top Panel	1
C	Bottom Panel	1
D	Rail	2
E	Cam Lock	4
F	Back Panel	1

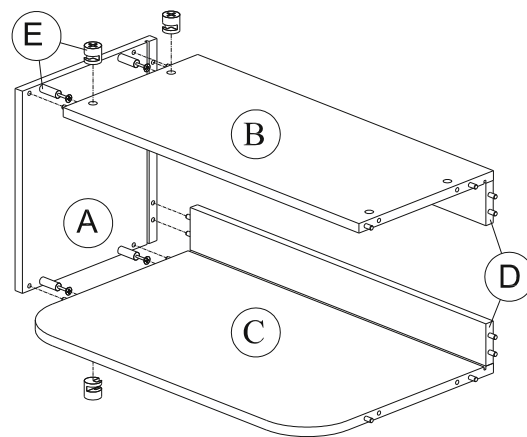


Figure 1

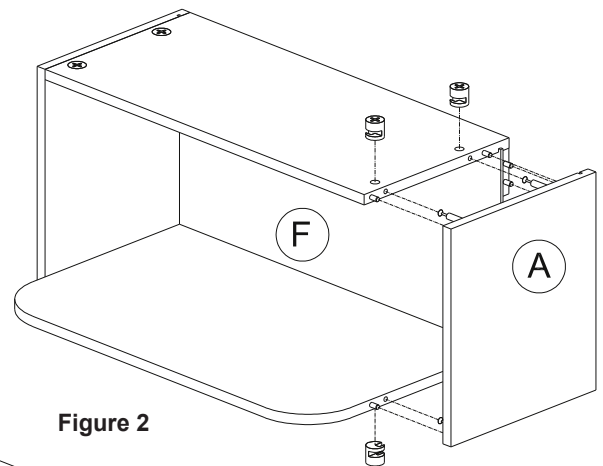


Figure 2

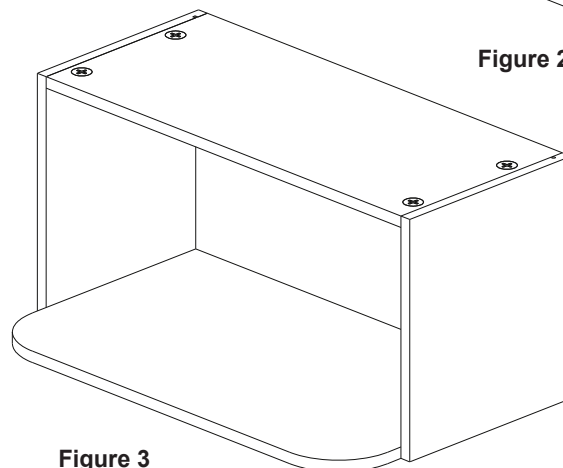


Figure 3