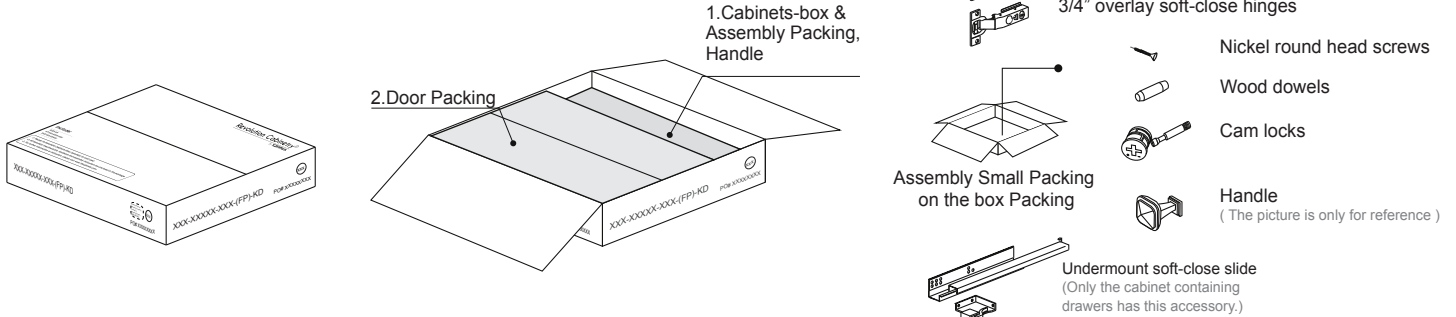


VANITY CABINET (VA3021DLorR~VA3621LorR---Drawer On Left)

Ready to Assemble — Assembly Instruction
-everything you need is included in this package-

PACKAGE LIST



ASSEMBLY STEPS

Part	Descriptions	Qty
B,C,D	Drawer Parts	2
E	Slide With Screws	2
F	Drawer Front	2
G	Screw	3
H	Middle Panel	1
I	Rail	1
J	Bottom Panel	1
K	Rail	1
L	Wood Dowel	13
M	Side Panel	2
N	Rail	1
O	Back Panel	1
P	Toe Kick	1
Q	Drawer Front	1
R	Door	1/2
S	Hinge With Screws	2/4
T	Cam Lock	17
U	Cam Cap	6

