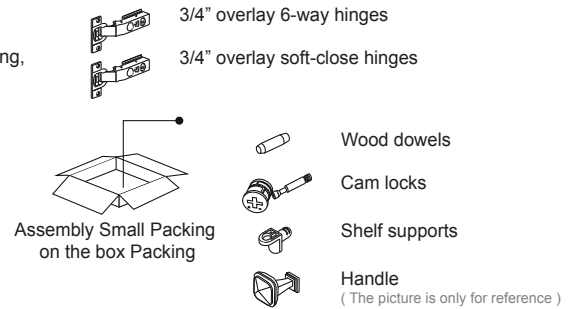
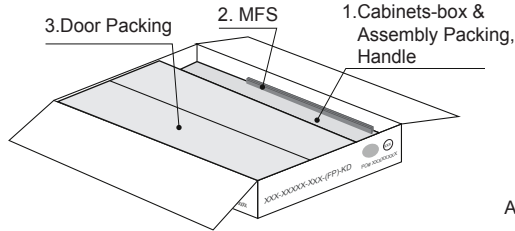
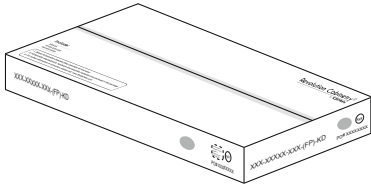


## KITCHEN PANTRY CABINET

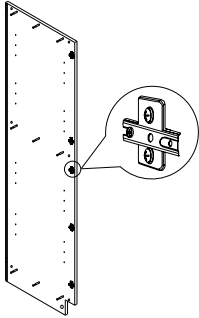
Ready to Assemble — Assembly Instruction  
-everything you need is included in this package-

### PACKAGE LIST

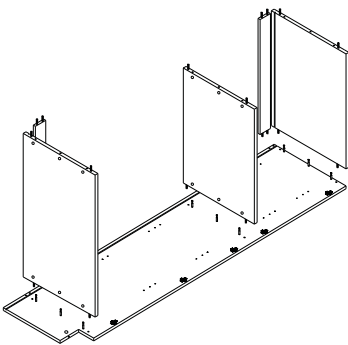


### ASSEMBLY STEPS

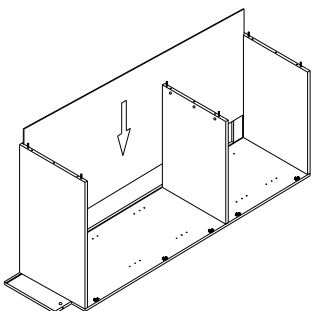
**Step 1:** Install the soft-close hinge plate on upper holes of the side panel, install the 6-way hinge plate on lower holes of the side panel.



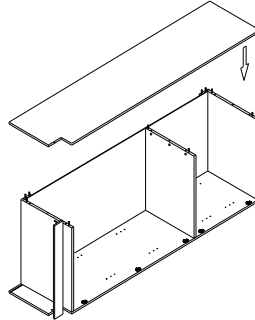
**Step 2:** connect the top panel, bottom panel, middle panels and back braces to one side panel using cam locks and wood dowels.



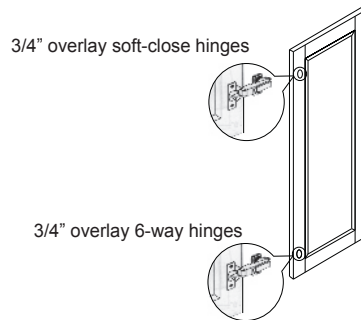
**Step 3:** Slide the back panel into its slot in the top and bottom panels.



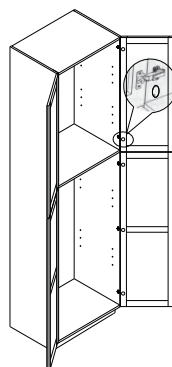
**Step 4:** Install the other side panel and toe kick using cam locks and wood dowels.



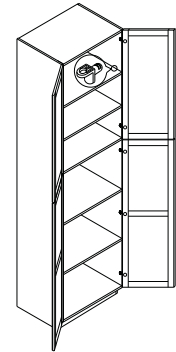
**Step 5:** Install the 3/4\"/>



**Step 6:** Connect the doors to the box, hinges on the door panels snap into the hinges on the side panels.



**Step 7:** Install the shelf supports at the desired height then place shelves on top of the supports.



**Step 8:** Adjust the hinges to ensure that the clearance for all doors is the same. Finally, check the firmness and stability of the cabinet tightening the cam locks as necessary.

