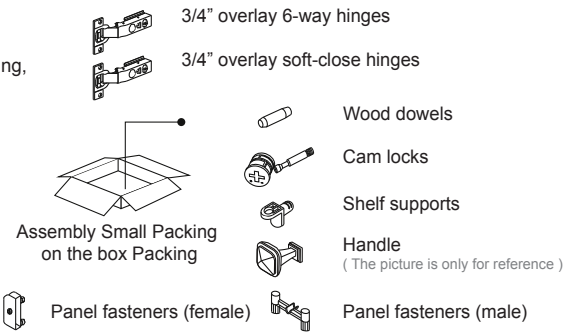
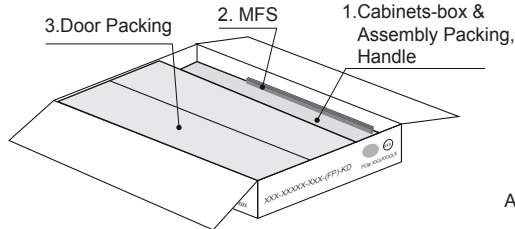
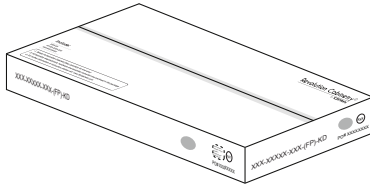


## KITCHEN OVEN CABINET SINGLE

### Ready to Assemble — Assembly Instruction

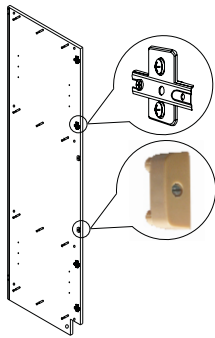
-everything you need is included in this package-

#### PACKAGE LIST

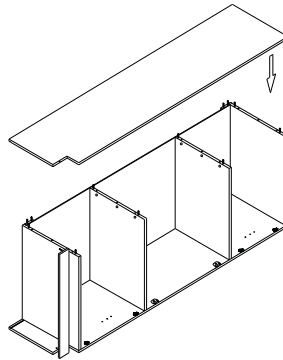


#### ASSEMBLY STEPS

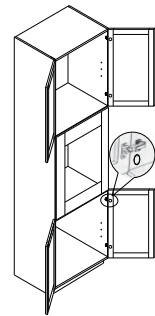
**Step 1:** Install the soft-close hinge plate on upper holes of the side panels, install the 6-way hinge plate on lower holes of the side panel. In the middle, install the female fasteners.



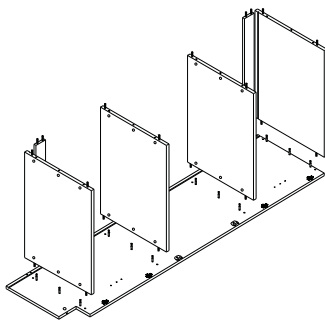
**Step 4:** Install the other side panel and toe kick using cam locks and wood dowels.



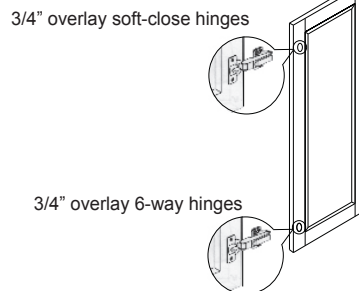
**Step 6:** Connect the doors to the box, hinges on the door panels snap into the hinges on the side panels. Insert the male fasteners into the female fasteners to attach the center frame.



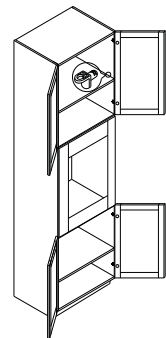
**Step 2:** connect the top panel, bottom panel, middle panels and back braces to one side panel using cam locks and wood dowels.



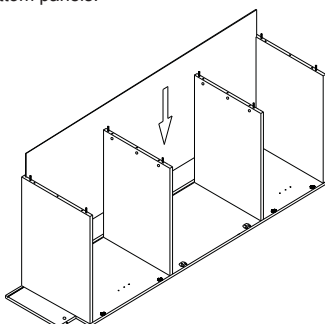
**Step 5:** Install the 3/4" overlay soft-close hinges in the upper holes of the doors; Install the 3/4" overlay 6-way hinges in the lower holes of the doors. Install the male fasteners on the center frame.



**Step 7:** Install the shelf supports at the desired height then place shelves on top of the supports.



**Step 3:** slide the back panel into its slot in the top and bottom panels.



**Step 8:** Adjust the hinges to ensure that the clearance for all doors is the same. Finally, check the firmness and stability of the cabinet tightening the cam locks as necessary.

