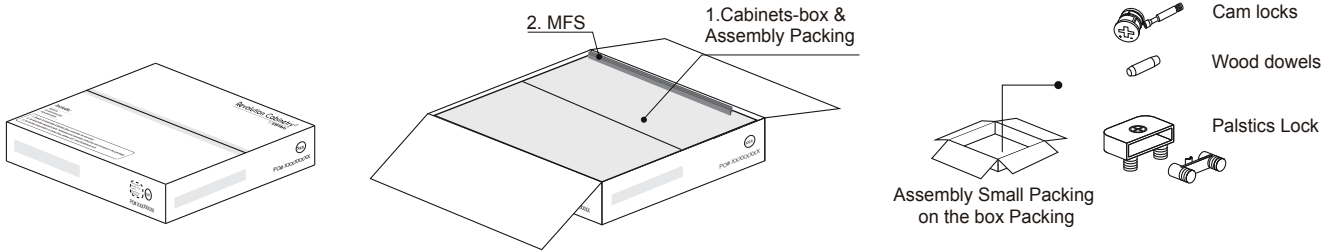


KITCHEN BASE OVEN CABINET UNIVERSAL (BOCU)

Ready to Assemble — Assembly Instruction
-everything you need is included in this package-

PACKAGE LIST



ASSEMBLY STEPS

Part	Descriptions	Qty
A	Side Panel	2
B	Bottom Panel	1
C	Rail	1
D	Rail	1
E	Cam Lock	12
F	BackPanel	1
G	Toe Kick	1
H	Front Frame	1
I	Plastics Lock	2

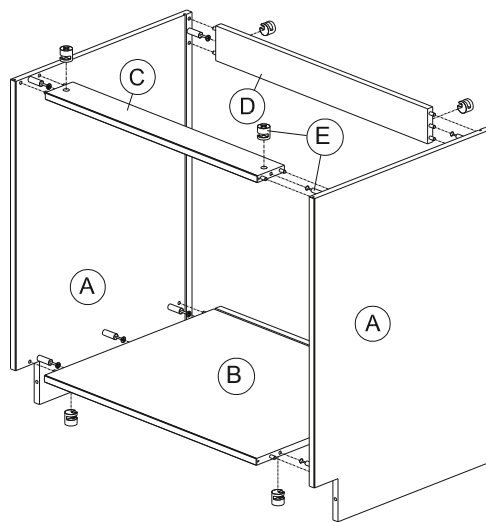


Figure 1

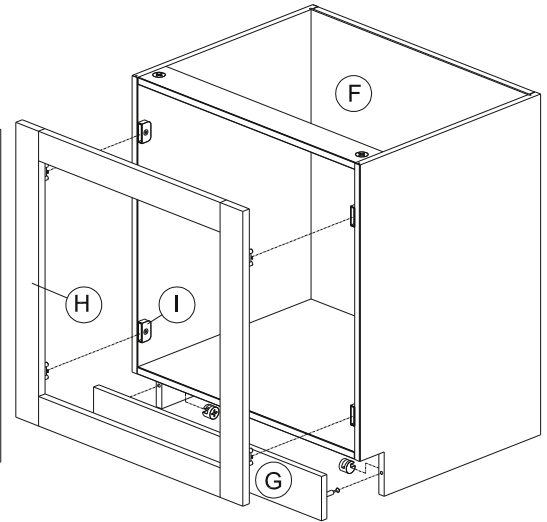


Figure 2

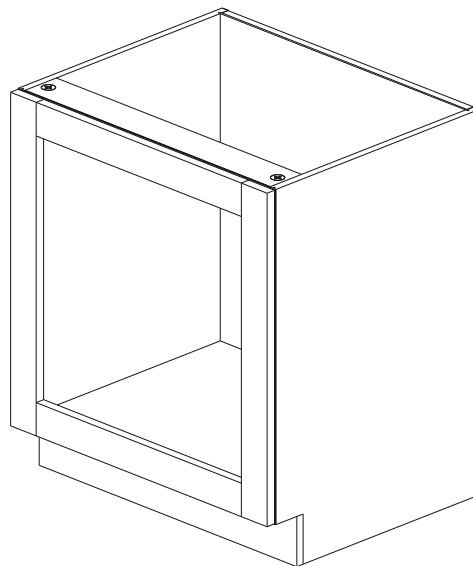


Figure 3